

# PLUG AND PLAY MANUAL



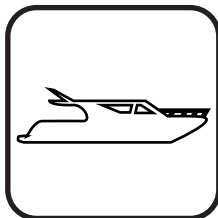
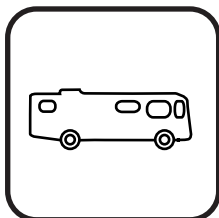
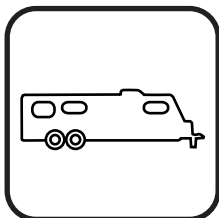
**The powerful and most compact central vacuum solution for  
your caravan, motorhome, boat, truck and much more!**

## **BEFLEXX BF1000-120**

### **TO THE OWNER:**

Read the owners manual #6062 thoroughly to ensure  
the most efficient use of your BEFLEXX® system.

**THIS APPLIANCE IS FOR RV USE.**





# BEFLEXX<sup>®</sup>

Please be sure this users installation manual is left with the power unit or customer when installation is completed.

## RECORD THIS INFORMATION FOR FUTURE REFERENCES

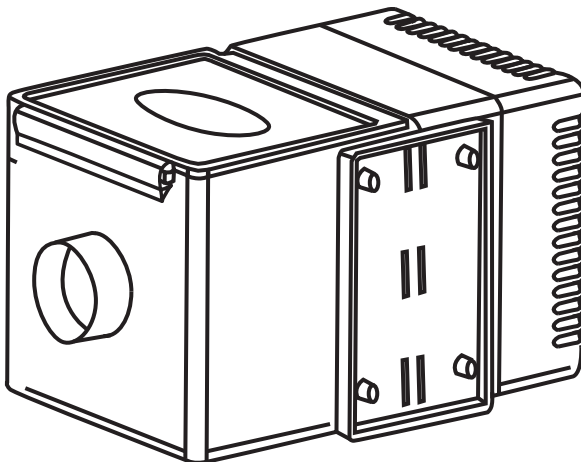
SOLD BY \_\_\_\_\_  
DATE OF PURCHASE \_\_\_\_\_  
PLACE OF PURCHASE \_\_\_\_\_  
SERIAL NUMBER \_\_\_\_\_

# BEFLEXX BF1000-120

## Operating & Maintenance Instruction Manual

### CONTENTS

Important Safeguards	3	How To Use	6
Grounding Instructions	4	Accessories	7
General Information	4	Warranty	8
Installation	5		



# IMPORTANT SAFEGUARDS



When using an electronic appliance, basic safety precautions should always be followed, including those listed below.

**READ ALL INSTRUCTIONS BEFORE USING THIS CENTRAL VACUUM SYSTEM.**



## WARNING

**To reduce the risk of fire, electric shock or injury:**

- This vacuum cleaner is intended for dry pick up only. Do not use on wet surfaces or pick up any liquids, hot debris, or any flammable items that would cause harm to the vacuum cleaner.
- Do not pull or carry by cord, use cord as a handle, close door on cord, or pull cord around sharp edges or corners. Do not run appliance over cord. Keep cord away from heated surfaces.
- Do not allow vacuum to be used as a toy. Close supervision is necessary when this vacuum is used by or near children.
- Use this vacuum only for its intended use as described in this manual. (Use of attachments not recommended by manufacturer may cause fire, electric shock, injury or damage to system components.)
- Mount unit at least 8 inches from the floor, ceiling and corner sidewall to insure adequate ventilation for motor.
- Never operate this vacuum if it has a damaged cord or plug, if it is not working properly, or if it has been dropped or damaged. Return to authorized dealer/distributor for repair.
- Never disconnect plug by pulling cord. To disconnect from outlet grasp the plug, not the cord.
- Do not put any object into openings. Do not use with any opening blocked. Keep free of dust, lint, hair and anything that may reduce air flow/suction. Lack of air flow will cause the motor to overheat.
- This vacuum cleaner creates suction. Keep hair, face, fingers, all body parts and loose clothing away from any openings.
- Connect to a proper grounded outlet only. See grounding instructions.
- Never operate without dust bag and/or filter in place.
- Turn off all controls before unplugging. Unplug from outlet before servicing.
- Never handle plug, cord or power unit with wet hands.
- Use extra care when cleaning on stairs.
- Do not locate the power unit in a high temperature area or where it is inaccessible.
- Do not use extension cords or outlets with inadequate current carry capacity.
- Do not pick up anything that is burning or smoking, such as cigarettes, matches or hot ashes.
- Do not use on wet surfaces.
- Do not vacuum drywall dust or baking flour as it may cause damage to your vacuum.
- This appliance is not intended for use by persons, (including children), with reduced physical, sensory, or mental capabilities, or lack of experience and knowledge, unless they have been given supervision or instruction concerning use of the appliance by a person responsible for their safety.
- The machine must not be used if it is faulty.
- Unplug electrical appliances before vacuuming them.
- Do not pick up flammable or combustible liquids such as gasoline, or use in areas where they may be present.
- Make sure to connect the vacuum to a fused electrical network on board of your RV.
- When expected not to use the vacuum for a couple days make sure to unplug the power cord.

## SAVE THESE INSTRUCTIONS



# GROUNDING INSTRUCTIONS

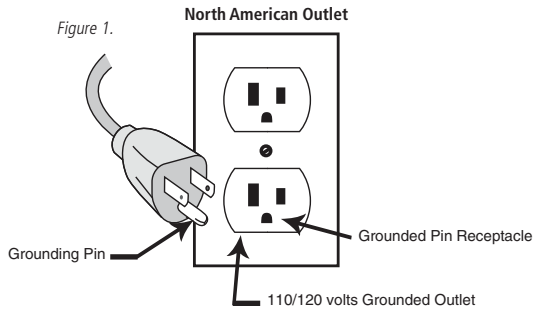
This vacuum must be grounded (earthed). If it should malfunction or breakdown, grounding provided a path of least resistance for electric current to reduce the risk of electric shock. This vacuum is equipped with a cord having an equipment-grounding conductor and grounding plug. The plug must be inserted into an appropriate outlet that is properly installed and grounded in accordance with all local codes and ordinances.

## BEFLEXX BF1000-120

This vacuum is for use on a circuit having a nominal rating at 110/120 volts and is provided with a specific cord and plug to permit connection to a proper electrical circuit. Make sure the vacuum is connected to an outlet having the same configuration as the plug. No adaptor should be used with this vacuum. Refer to Figure 1.

### WARNING

Improper connection of the equipment grounding conductor can result in a risk of electric shock. Check with a qualified electrician or service person if you are in doubt as to whether the outlet is properly grounded. Do not modify the plug provided with the appliance - if the plug will not fit the electrical outlet, have a proper outlet installed by a qualified electrician.



## GENERAL INFORMATION

The BEFLEXX BF1000-120 central vacuum system is designed for dry pick up of household dirt and dust and is not intended to pick up liquids. Avoid picking up hard or sharp objects with this vacuum to prevent damages or clogs to hoses.

**WARNING: THIS CENTRAL VACUUM SYSTEM IS INTENDED FOR HOUSEHOLD (RV) USE ONLY.**

### Service Information

The instructions in this manual serve as a guide to routine maintenance. For additional information, contact your local authorized dealer/distributor.

### Rating Plate

The model and serial number are indicated on the rating plate located on top of vacuum. For prompt and complete service information, always refer to these numbers when inquiring about service. Refer to Figure 2.

<b>Model:</b>	BF1000-120
<b>Voltage:</b>	110-120 Volts ~
<b>Current:</b>	8.3A
<b>Freq:</b>	60Hz
<b>Serial No:</b>	11401000001
<b>Listed:</b>	7000Z167
<b>Master Contract No:</b>	259178

**Household Use Only - Usage Domestique Seulement**

**WARNING:** TO REDUCE THE RISK OF ELECTRIC SHOCK OR FIRE - DO NOT USE ON WET SURFACES.  
POUR RÉDUIRE LES DANGERS DE FEU D'ÉLECTROCUTION OU DE BLESSURE - N'UTILISER PAS SUR DES SURFACES MOULLES.

**CAUTION:** MOUNT UNIT AT LEAST 8 INCHES FROM FLOOR, CEILING AND CORNER SIDEWALLS TO INSURE ADEQUATE VENTILATION FOR MOTOR.  
ASSURER UN DÉGAGEMENT D'AU MOINS 8 INCHES ENTRE LES PAROIS LATÉRALES ET LE PLANCHER OU LE PLAFOND POUR ASSURER UNE VENTILATION ADEQUATE POUR LE MOTEUR.

BeFlexx BV, De Scheper 254, 5888 HP Oirschot, The Netherlands

**MADE IN HOLLAND**

Figure 2.

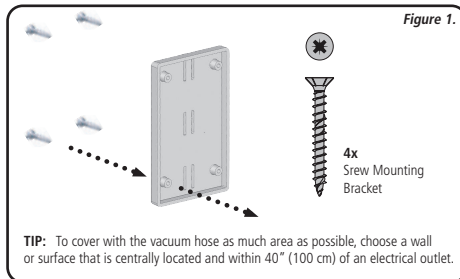
# INSTALLATION



## Installation of Power Unit

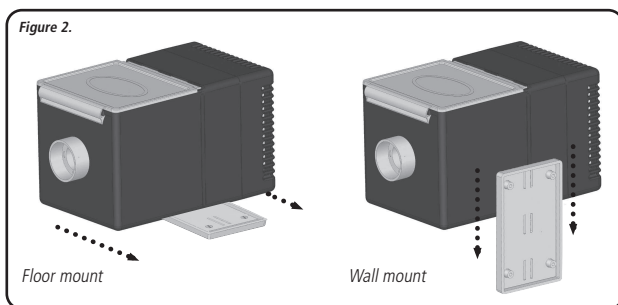
### 1 Power Unit Location

The power unit sits or hangs on the mounting bracket which is screwed to the floor or wall. The power unit must be mounted within 40" (100 cm) of an electrical outlet. When mounted vertical the bottom screws of the mounting bracket should be about 12" (31 cm) up from the floor. Mount unit at least 8" (20 cm) from the ceiling and corner sidewall to insure adequate ventilation for motor. Be sure your RV agrees with the voltage on the Rating Plate.



### 2 Install Power Unit

Once the bracket is mounted, you can now bring the power unit in place. Be sure the power unit will be located at least 8" (20 cm) from the ceiling and any adjacent walls. The exhaust should never be obstructed. Check to be sure you will be able to occasionally remove the top cover, replace the dust bag or motor filter and inspect the power unit. Refer to Figure 2.



## WARNING

- Do not block exhaust. Lack of ventilation will cause the motor to overheat.
- Do not locate power unit in a high temperature area.
- Do not mount power unit upside down. (orange cover pointing down)

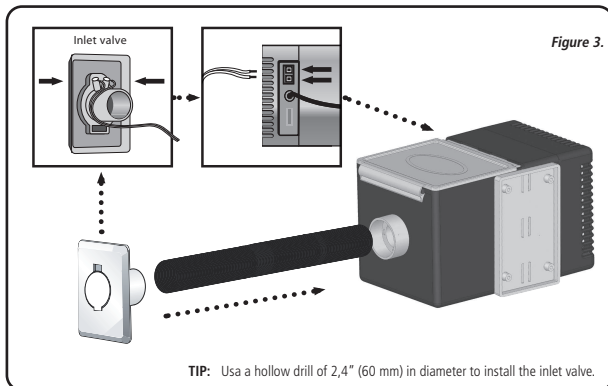
### 3 Install Inlet Valve

Strip the low-voltage wires. Connect the wires to the wall inlet valve (refer to Figure 3). Connect the other end of the wires to the spring-loaded connectors on top of the power unit.

Plugging the hose into an inlet valve completes a low-voltage electrical circuit which activates the power unit. To turn off the vacuum, unplug the hose from the inlet.

#### Install Intake

Flexible tube is provided to connect power unit with inlet valve. Cut the tube to desired length. Do not glue the connection to the power unit in case you wish to remove at a future date.



Fixate provided flexible tube and low-voltage wire to wall using supplied strap mounts and cable ties.



## WARNING

- Make sure to connect the vacuum to a fused electrical network on board of your RV.
- When expected not to use the vacuum for a couple days make sure to unplug the power cord.

## 1 Connecting and disconnecting the hose

Plugging the hose into an inlet valve completes a low-voltage electrical circuit which activates a relay and turns on the vacuum cleaner. To turn off the unit, unplug the hose from the inlet valve. When unplugging the hose, hold the inlet cover open for a few seconds to allow suction to decrease and protect the inner seal. An obstruction in the inlet valve may cause the power unit to continue to run after the hose has been removed from the inlet. To shut down the power unit, check all the inlet valves and remove obstructions.

## 2 How to change the dust bag

BEFLEX Dust Bag HEPA Style with part number #9281 is the correct replacement dust bag. Open the top cover (orange) on the vacuum cleaner by pushing the latch upward. Remove full dust bag and discard. Replace a new dust bag all the way over the flange. When closing the top cover tuck in left and right corners of the bag, so the cover is properly sealed and the latch clicks into place.

## 3 To change motor filter

BEFLEX Motor Filter with part number #9284 is the correct replacement part. Open the top cover (orange) on the vacuum cleaner by pushing the latch upward. Remove dirty motor filter. Replace a new motor filter correctly. Motor filter is to be changed after the use of 5 dust bags.

***DO NOT CLEAN THE DIRTY FILTER BY VACUUMING, OR WASHING IN MILD SOAP OR WASHING MACHINE.***

## 4 If motor suddenly stops

- The most common cause is a clogged hose. Disconnect vacuum hose from inlet valve, hold one end high up in the air and drop a quarter or similar object into the hose. If the quarter gets stuck the hose is clogged. Try to unclog the hose with a long stick or see below "cleaning the hose".
- The bag is overfilled or fine dust has clogged the bag.
- The vacuum cleaning tools are clogged.
- Vacuuming large amounts of dust other than household dirt, such as dry-wall or fine wood dust can block the bags pores fast, even if the bag is fairly new.
- The motor filter is dirty and should be replaced.
- If power unit is installed in an air tight compartment and the exhausting air cannot escape, the motor can overheat and will shut off automatically until it cooled down and will restart automatically.

## 5 Cleaning the stretch hose

**The stretch hose, besides all its' conveniences, has a tendency to get clogged, especially if you have pets.**

- Lift the hose up on both ends and dispense some liquid detergent into both ends.
- with a garden hose, holding both ends still up, fill  $\frac{3}{4}$  with water.
- shake hose up and down, let detergent loosen the dirt.
- stretch the hose as far as you can (2 people required) and wash the dirt out with full pressure of the garden hose. Repeat if necessary.
- hang hose up, let hose drain and dry completely, it might take 24 hours.



## WARNING

- This vacuum cleaner is intended for dry pick up only. Do not use on wet surfaces or pick up any liquids, hot debris, or any flammable items that would cause harm to the vacuum cleaner.
- Do not pick up flammable or combustible liquids such as gasoline, or use in areas where they may be present.
- Never operate this vacuum if it has a damaged cord or plug, if it is not working properly, or if it has been dropped or damaged. Return to authorized dealer/distributor for repair.

# ACCESSORIES



**Upholstery Tool  
#9243**



The upholstery tool with slip-on brush is convenient when cleaning walls, furniture, curtains, or mattresses. It can be used with or without the slip-on brush

**Dust Brush  
#9242**



The round dusting brush makes dusting quick and easy. It can be used for furniture, counters, wall, decorations, window, areas, lamp shades, or wherever dusting is needed.

**Crevice Tool  
#9241**



The crevice tool is ideal for tight spaces and corners, such as in the kitchen and beneath/around cabinets. It is designed for narrow spaces, crevices, along edges or other hard-to-clean areas.

**Dust Bag HEPA #9281**

Easy to replace HEPA type dust bag with 5 layer fiber filtration. Captures 99,7% of all microscopic particles. Note: All power units come with 3 dust bags.



**Hard Floor Tool #9245**

Offering gentle, yet highly efficient dust and dirt pick up. The Hard Floor Tool is ideal for polished wood, slate, stone and marble floor surfaces.



**Telescopic Wand Aluminum #9250**

This is an all aluminum, 23 3/8" telescoping wand for use with the Hard Floor Tool. It extends to a length of approximately 39".





## LIMITED WARRANTY

BEFLEXX® will repair the power unit with new or rebuilt parts, free of charge for two (2) years from the date of original purchase in the event of defect in materials or workmanship. No cash refunds. Excluded are the following items that require normal replacement: Disposable dust bags, motor filter, vacuum cleaner tools and vacuum hoses. This warranty is extended only to the original purchaser. A purchase receipt or other proof of date of original purchase will be required before warranty performance is rendered.

**You must return your warranty card or register on our website in order to be covered under these provisions.**

This warranty only covers failures due to defects in materials or workmanship which occurs during normal use and does not cover damage which occurs in shipment or failure which are caused by products not supplied by BEFLEXX®, or failures which result from accident, misuse, abuse, neglect, mishandling, misapplication, alteration, modification, or commercial use such as hotel, office, restaurant, or rental use of the product, or service by anyone other than an authorized service centre or damage that is attributable to acts of God. There are no expressed warranties except as listed above.

### LIMITS AND EXCLUSIONS

BEFLEXX® shall not be liable for incidental or consequential damages resulting from the use of this product, or arising out of any breach of this warranty. All expressed and implied warranties, including the warranties of merchantability and fitness for a particular purpose, are limited to the applicable warranty period set forth above.

Some states do not allow the exclusion or limitation of incidental or consequential damages or limitations on how long an implied warranty last, so the above exclusions or limitations may not apply to you. This warranty gives you specific legal rights that vary from state to state. If a problem with this product develops during or after the warranty period, you may contact your dealer. If the problem is not handled to your satisfaction, then write to the customer service centre at the company address.

**Note:** Be sure to specify model and serial numbers when writing for information or replacement parts.

